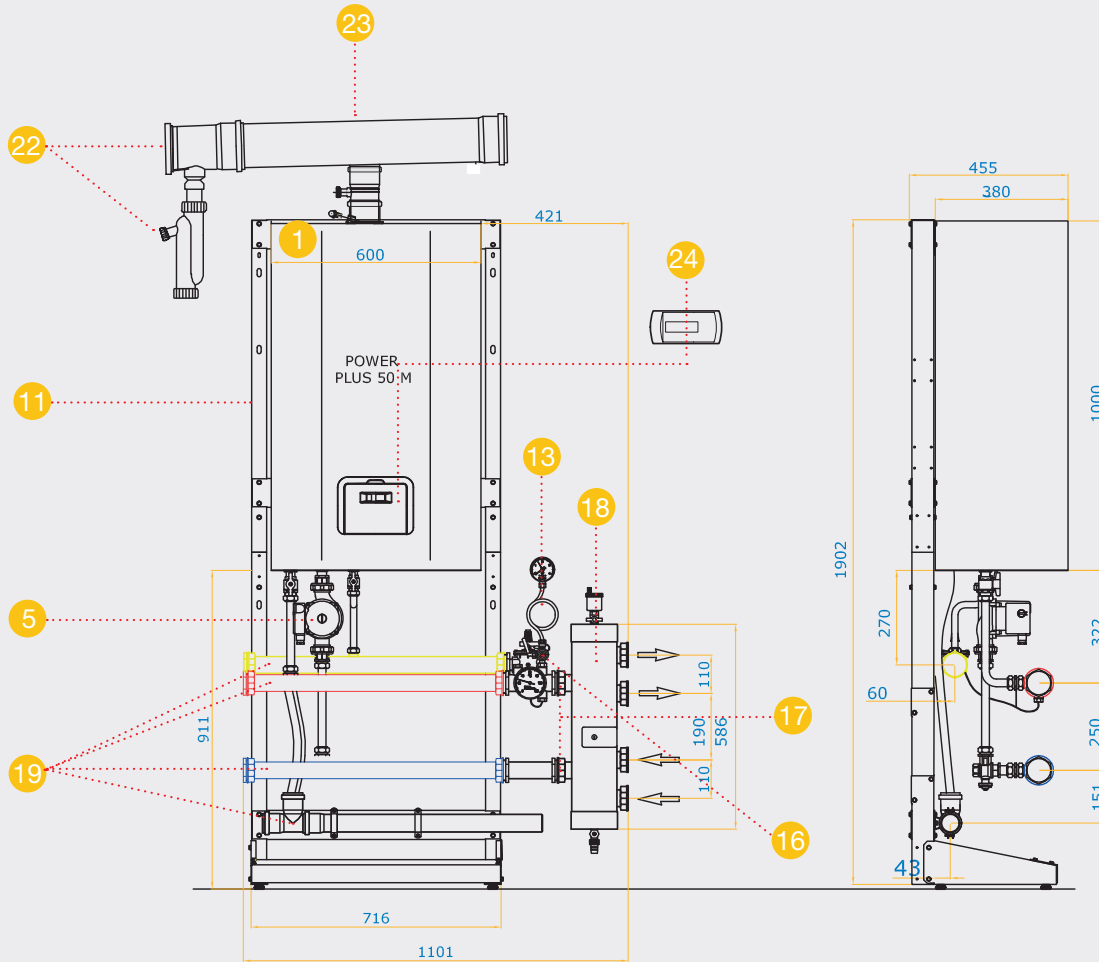


Stand-alone configuration - 50 kW (wall-hung or free-standing)



This scheme has only an indication purpose

diagram ref.	code	description	quantity
BOILERS			
1	20019155	Power Plus 50 M	1
USER INTERFACE			
24	1102379*	Remote control	1
HYDRAULIC COMPONENTS and SAFETY DEVICES			
19	20017226	Hydraulic manifold kit 100 kW for Power Plus rig with blank end-flange	1
5	20009442	Pump kit (front) for Power Plus rig	1
18	20017271	Hydraulic header/separator – 100 kW	1

diagram ref.	code	description	quantity
17	20017270	Connection pipes kit to hydraulic header/separator - 100 kW	1
13	20009475*	ISPESL safety kit (400 kW max.)	1
16	20009486*	Gas safety cut-off valve (100 kW max.)	1
SUPPORTS for LINEAR WALL-HUNG or FREE-STANDING MOUNTING			
11	20009472	Power Plus rig (front mounting)	1
FLUES			
23	4030311	Flues collector kit Ø 125 for 50 kW	1
22	4030031	Condensate drain kit Ø 125 with tap	1

* OPTIONAL component